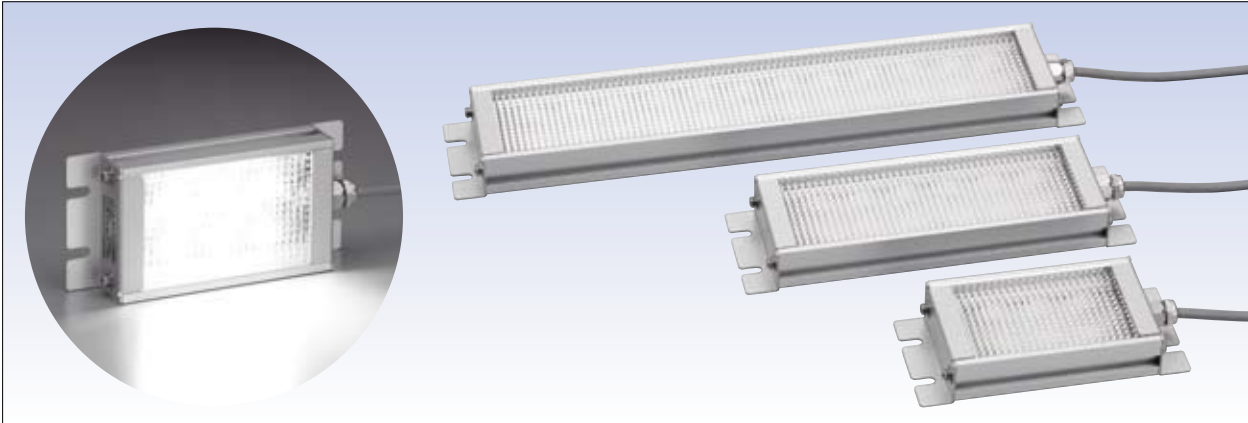


LF1A Series LED Illumination Units

Standard Types

LED module and high heat-radiation technology allow for thin LED housing



Features and Applications by Illumination Color

Illumination Color	White	Incandescent Light Color	Yellow	Red
Type No.	LF1A-*-2THWW6	LF1A-*-2TLWW6	LF1A-*-2SHY8	LF1A-*-2SHR8
Appearance				
Spectrum				
Features	Suppressing glare, the bright, clear white illumination color lights up a target object clearly.	Warm color similar to that of an incandescent light bulb. This illumination color gives off a color temperature of 2800K.	Yellow illumination color gives off an emission spectrum with a dominant wavelength of 590 nm. It does not include 500 nm or shorter wavelengths.	Red illumination color gives off an emission spectrum with a long wavelength (dominant wavelength of 625 nm).
Application Examples	<ul style="list-style-type: none"> • Machine Tools • Control Panel/Plant Equipment • Inspection/Test Equipment 	<ul style="list-style-type: none"> • Food Processing Machines • Cosmetic Plants • Chemical Plants 	<ul style="list-style-type: none"> • Semiconductor Manufacturing Equipment • IC Plants 	<ul style="list-style-type: none"> • Application Equipment for Photosensitive Materials • Semiconductor Manufacturing Equipment • Night-time Experiments

Types

Illumination Color / LED Arrangement	White	Incandescent Light Color	Yellow	Red
3 LEDs x 2 rows	LF1A-A1-2THWW6	LF1A-A1-2TLWW6	LF1A-A1-2SHY8	LF1A-A1-2SHR8
6 LEDs x 2 rows	LF1A-B1-2THWW6	LF1A-B1-2TLWW6	LF1A-B1-2SHY8	LF1A-B1-2SHR8
12 LEDs x 2 rows	LF1A-D1-2THWW6	LF1A-D1-2TLWW6	LF1A-D1-2SHY8	LF1A-D1-2SHR8

LF1A Series LED Illumination Units (Standard Types)

Specifications

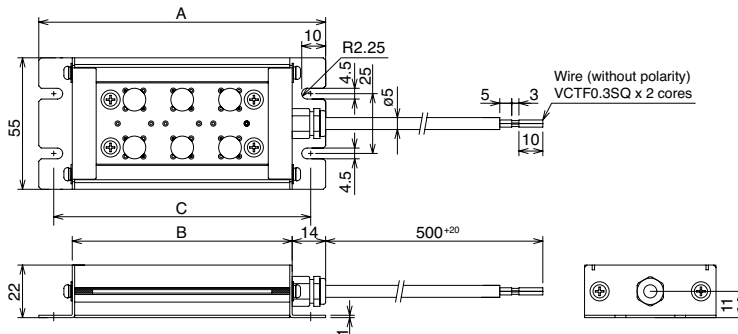
• General Specifications

Type No.	LF1A--2THWW6	LF1A--2TLWW6	LF1A--2SHY8	LF1A--2SHR8
Rated Voltage	24V DC (without polarity)			
Input Current (typ.) (at rated voltage)	3 LEDs x 2 rows	75 mA	90 mA	
	6 LEDs x 2 rows	150 mA	180 mA	
	12 LEDs x 2 rows	300 mA	360 mA	
Rated Power (typ.) (at rated voltage)	3 LEDs x 2 rows	1.8W	2.2W	
	6 LEDs x 2 rows	3.6W	4.4W	
	12 LEDs x 2 rows	7.2W	8.7W	
Dielectric Strength	Between live and dead parts: 1000V AC, 1 minute			
Insulation Resistance	Between live and dead parts: 100 MΩ (500V DC megger)			
Operating Temperature	-20 to +50°C			
Storage Temperature	-25 to +70°C			
Operating/Storage Humidity	45 to 85% RH (no condensation)			
Life (half luminance)	40,000 hours			
Weight (approx.)	LF1A-A1: 190g, LF1A-B1: 270g, LF1A-D1: 470g			
Degree of Protection	IP40			

• LED Optical Specifications

Type No.	LF1A--2THWW6	LF1A--2TLWW6	LF1A--2SHY8	LF1A--2SHR8
Illumination Color	White	Incandescent Light Color	Yellow	Red
Luminous Intensity (typ.) (Single LED module)	6000 mcd	4000 mcd	4000 mcd	2500 mcd
Color Temperature (typ.) / Dominant Wavelength (typ.)	5500K	2800K	590 nm	625 nm
Reference Illuminance (typ.) at 500 mm	3 LEDs x 2 rows	190 lx	130 lx	85 lx
	6 LEDs x 2 rows	380 lx	260 lx	170 lx
	12 LEDs x 2 rows	760 lx	520 lx	340 lx

Dimensions

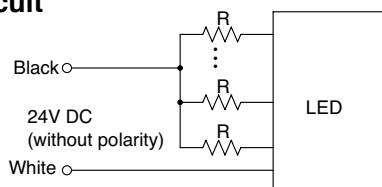


• Dimension List

Type No.	A	B	C
LF1A-A1-*	120	92	108
LF1A-B1-*	180	152	168
LF1A-D1-*	300	272	288

All dimensions in mm.

Internal Circuit



Water-, Dust-, and Oil-Proof Types

Environmental-proof LED illumination units can be used in environments where water/oil spattering may occur.



Degree of protection (IP67f)
Water-proof, dust-proof, oil-proof type that uses special rubber (fluorinated elastomer) for internal waterproof gasket.
The LF1A series can be used on a food processing line to be washed as a whole, or in a machine tool where the unit may be splashed with oil.

Easy installation
Equipped with a standard accessory 5-m cable (metal protection tube can be mounted)

Compact body
Low-profile design unique to LED illumination
Allows for installation in a machine where space is limited.

Safe
The front transparent panel uses reinforced glass with a thickness of 4 mm, ensuring safety against any spray of shavings or filings.

Environmental-proof housing
The front housing panel is made of SUS304, ensuring high strength and corrosion resistance.

Bright
With the highly bright multi-chip LED modules, the LF1A series provides illumination equivalent to a 20W fluorescent lamp.

Easy to see
The white LED has a clear color that gives off a color temperature of 5500K, allowing for clear lighting conditions in the workplace.

Other features

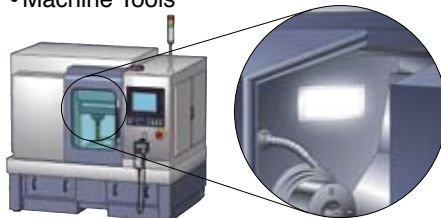
- Energy-saving: Power consumption is approx. one third that of fluorescent lamps.
- Long life: Maintenance unneeded for approx. 40000 hours.
- Clean: Compliant with RoHS directive, mercury-free.
- Vibration/Impact resistance: Unlike fluorescent lamps, an LED unit with no electric contact is resistant to vibration.
- Low heat value: The LED unit gives off a lower heat value than that of a fluorescent lamp.
- Noiseless: The LED unit can be used in a location near electronic equipment.

Types

LED Arrangement	8 LEDs x 3 rows
Illumination Color	White
	LF1A-D2F-2THWW6

Application Examples

- Machine Tools



- Food Processing Lines
- Automotive/Outdoor Equipment, etc.

- Semiconductor Manufacturing Equipment



LF1A Series LED Illumination Units (Water-, Dust-, and Oil-proof)

Specifications

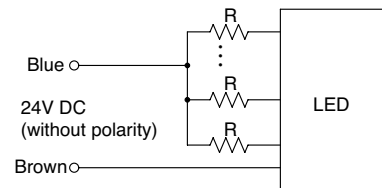
• General Specifications

Rated Voltage	24V DC (without polarity)
Input Current (typ.)	300 mA (at rated voltage)
Rated Power (typ.)	7.2W (at rated voltage)
Operating Temperature	-20 to +50°C
Storage Temperature	-25 to +70°C
Operating/Storage Humidity	45 to 85% RH (no condensation)
Life (half luminance)	40,000 hours
Insulation Resistance	100 MΩ minimum (500V DC megger)
Dielectric Strength	1000V AC, 1 minute (between live and dead parts)
Vibration Resistance (damage limits)	5 to 55 Hz, amplitude 0.5 mm, 20 m/s ²
Shock Resistance (damage limits)	980 m/s ²
Material	Housing: SUS Glass: Reinforced glass Rear panel: Aluminum Electric wire: US20276T 0.2 mm ² x 2c
Weight (approx.)	850g
Degree of Protection	IP67f

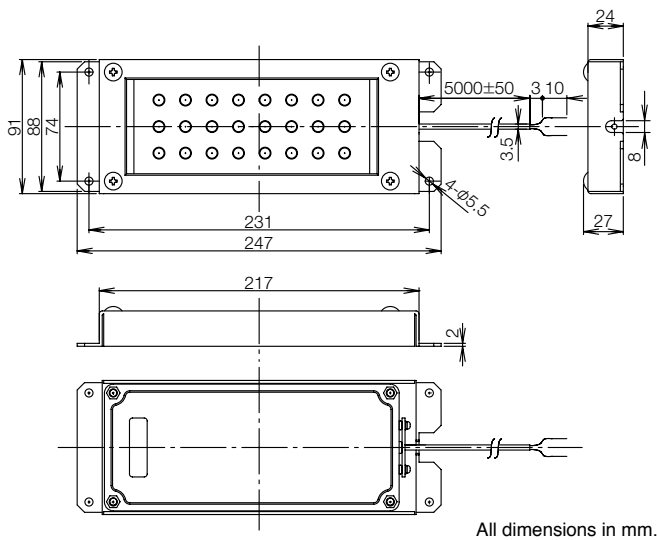
• LED Optical Specifications

Illumination Color	White
Chromaticity Coordinate Value (typ.)	X: 0.33, Y: 0.33
Luminous Intensity (typ.) (Single LED module)	6000 mcd
Color Temperature (typ.)	5500K
Reference Illuminance (typ.) at 500 mm	600 lx

Internal Circuit



Dimensions



PS5R-S Switching Power Supplies

Slim size DIN rail mount switching power supplies with finger-safe terminals

- Compact and light-weight
Width: 22.5 mm (10W/15W), 36 mm (30W/60W), 46 mm (90W), 50 mm (120W), 80 mm (240W)
- DIN rail mounting. Optional mounting bracket is available for panel mounting.
- CE marked (LVD and EMC)
- UL508, UL1604, UL1310 Class 2*, CSA C22.2 No. 14, No. 213, No.223*, EN 60950-1, EN50178 compliant. *(PS5R-SB/SC/SD only)
- EN61204-3 (DC power supply EMC Directive Class B) VCCI Class B compliant
- Meets SEMI F47 Sag Immunity (PS5R-SF/SG)
- RoHS compliant
- Three-year Warranty



TREICHL-ATM Electronic Auf der Bült 10 - 12 D 41189 Mönchengladbach

Tel. 02166 958545 Fax 02166 958547

eMail: atm@treichl.de

internet: www.relays.de